

CARINA



SEWING MACHINE SNM 33 C1

GB IE NI CY MT

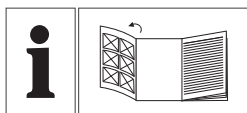
SEWING MACHINE
Operation and Safety Notes

DE AT CH

NÄHMASCHINE
Bedienungs- und Sicherheitshinweise

IAN 386998_2101

GB IE NI CY MT
DE AT CH



GB IE NI CY MT

Before reading, unfold the page containing the illustrations and familiarise yourself with all functions of the device.

DE AT CH

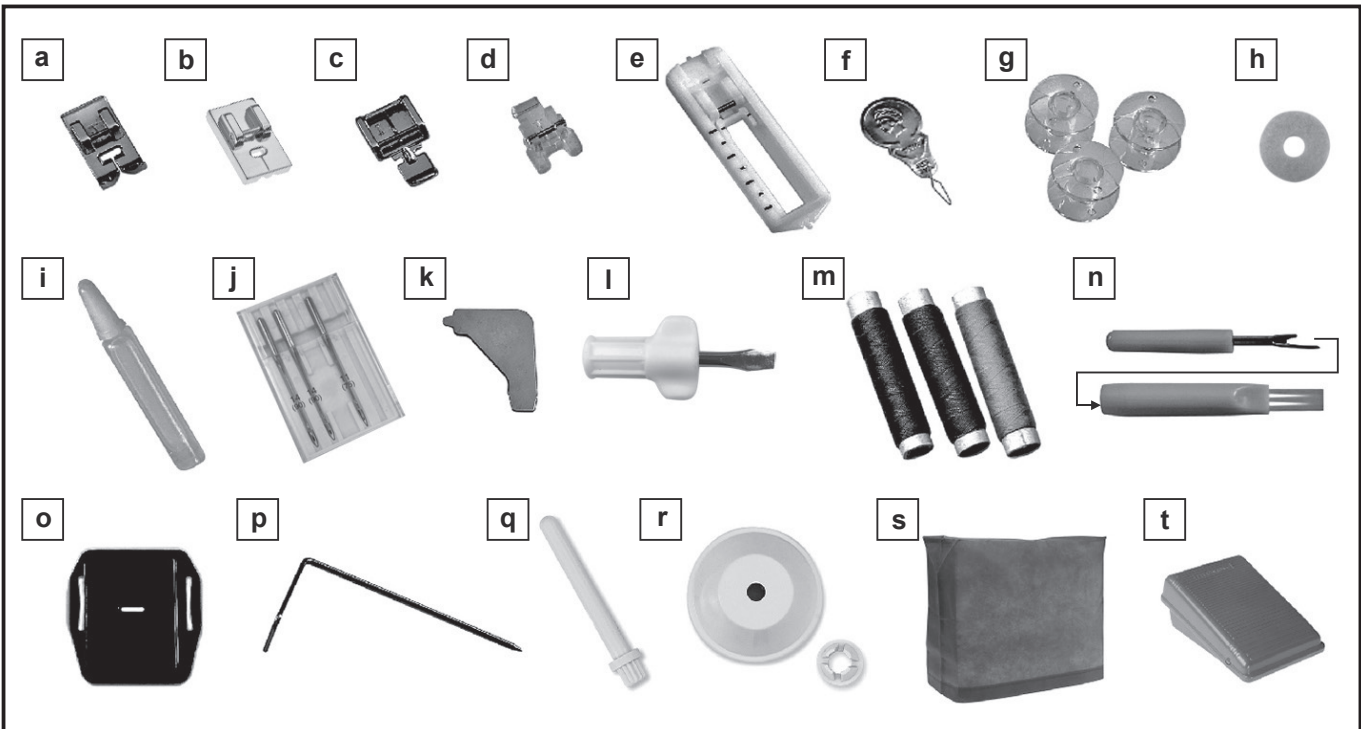
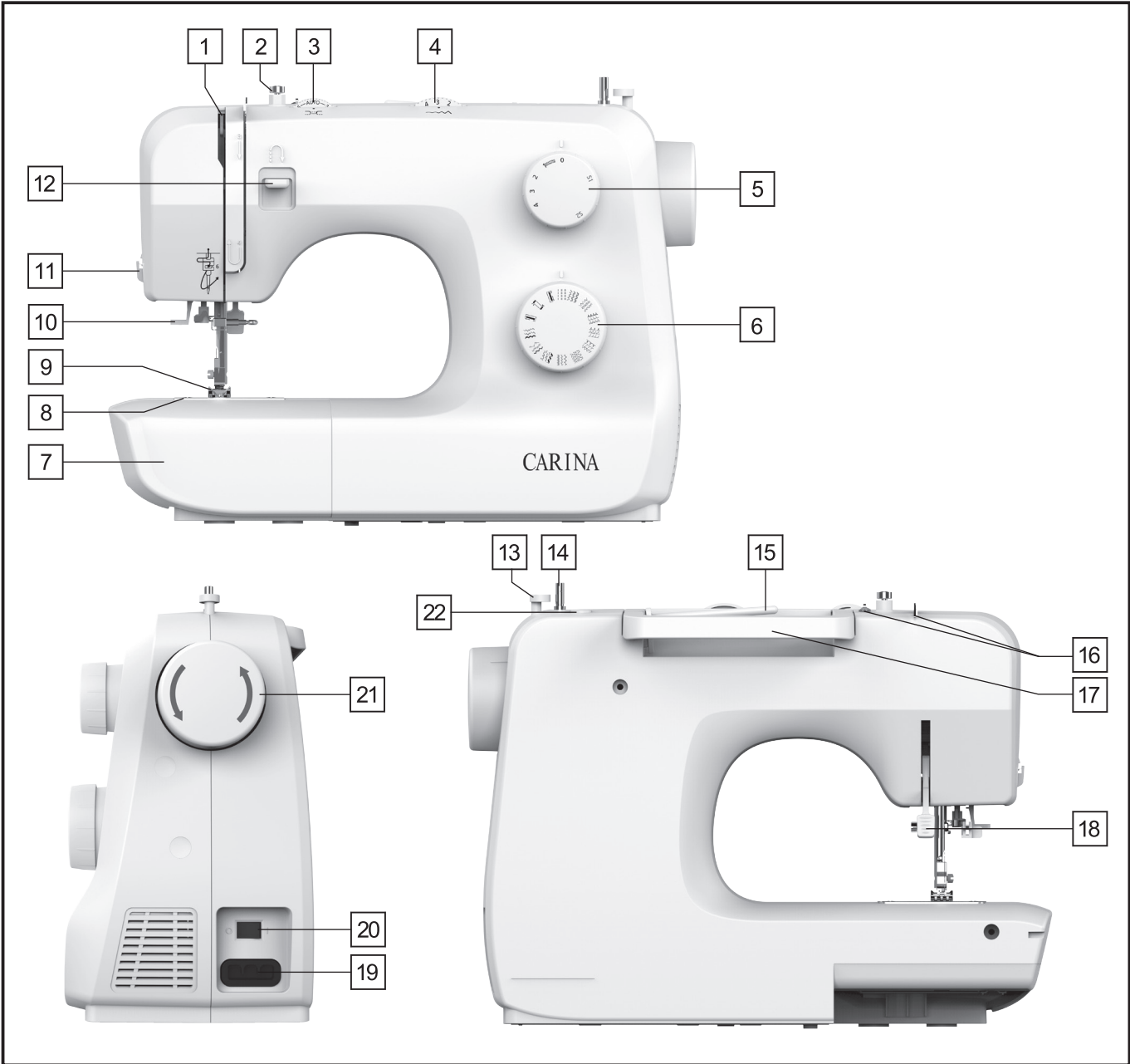
Klappen Sie vor dem Lesen die Seite mit den Abbildungen aus und machen Sie sich anschließend mit allen Funktionen des Gerätes vertraut.

Further helpful hints for using your Silvercrest sewing machine can be found under the following link or QR code.

Weitere hilfreiche Hinweise zum Einsatz Ihrer Silvercrest-Nähmaschine finden Sie unter folgendem Link oder QR-Code.

<http://snm33c1.sewing.guide>





Introduction

Introduction	6
Intended use	6
Sewing machine components	6
Accessories	6
Technical data	7

Important safety instructions

Important safety instructions	8
-------------------------------------	---

Getting ready

Connecting machine to power source	9
Installing the snap-in sewing table	10
Inserting the needle	10
Two-step presser foot lifter	11
Attaching the presser foot holder	11
Winding the lower thread	12
Inserting the bobbin	12
Threading the upper thread	13
Automatic needle threader	14
Thread tension	15
Bringing up the lower thread	15

Sewing basics

Sewing / Useful applications	16
Matching the needle, fabric and thread	17
How to choose your stitch	18
Straight stitching and needle position	18
Zigzag stitching	19
Zipper foot	19
Invisible zipper application	20
Blind stitch	21
Button sewing foot	21
Buttonhole foot	22
Overlock stitches	23
3-step zigzag	23
Stretch-stitch	24
Patch work	24
Monogramming and embroidering with embroidery hoop*	25
Applique	26
Scallop stitching	26

Maintenance

Maintenance	27
Storage	27
Trouble shooting guide	28

Disposal / Guarantee / Service / Manufacturer

Disposal	29
Guarantee	29
Service number	30
Manufacturer	30

Introduction

Congratulations on the purchase of your sewing machine. You have bought a top quality product which has been manufactured with great care.

These Operating Instructions contain all you need to know about using your sewing machine. However, if you still have any questions, please contact your dealer. We hope you enjoy your sewing machine and wish you success.

Before you use the sewing machine for the first time, it is essential that you make yourself fully familiar with the functions of the sewing machine and discover how to use the sewing machine correctly. Read the following Operating Instructions as well as the safety instructions. Keep these instructions in a safe place. When passing the sewing machine on to a third party, pass these instructions on, too.

Intended use

The sewing machine is **intended** ...

- for use as a movable machine
- for sewing typical household textiles
- only for private household use

The sewing machine is **not intended** ...

- to be installed at a fixed location
- for the processing of other materials (e.g. leather or other heavy materials such as tent or sail fabrics)
- for commercial or industrial use


Sewing machine components

- | | |
|------------------------------|---------------------------------|
| 1 Thread take-up lever | 12 Reverse sewing lever |
| 2 Bobbin thread guide | 13 Bobbin winder stopper |
| 3 Thread tension dial | 14 Bobbin winder spindle |
| 4 Needle width dial | 15 Spool pin |
| 5 Stitch length dial | 16 Upper thread guide |
| 6 Pattern selector dial | 17 Handle |
| 7 Sewing table | 18 Two-step presser foot lifter |
| 8 Needle plate | 19 Main plug socket |
| 9 Presser foot | 20 Power switch |
| 10 Automatic needle threader | 21 Hand wheel |
| 11 Thread cutter | 22 Hole for second spool pin |

Accessories

- | | |
|---------------------------------------------------------------------------------------------|----------------------------------------|
| a All-purpose presser foot (already installed) | k L-screwdriver |
| b Invisible zipper foot | l Screwdrivers |
| c Zipper foot | m Bobbins(1x blue, 1x pink, 1x yellow) |
| d Button sewing foot | n Stitch ripper / brush |
| e Buttonhole foot | o Embroidery and darning plate |
| f Needle threader | p Edge / quilt guide |
| g Bobbins(4x)(1x already installed) | q Secondary spool pin |
| h Felt cushion | r Spool pin cap(large & small) |
| i Oil bottle | s Dust cover |
| j Needle box: 3x single needles(90/#14)
(1x already installed), 1x single needle(75/#11) | t Foot pedal / power plug |

Technical data

Rated voltage		230 Volt/ 50 Hz
Power rating	- Total	70 Watt
Dimensions	- When handle is folded down	Approx. 388x275x169 mm (LxHxW)
Cable length	- Power cable	Approx. 1.8 m
	- Foot control cable	Approx. 1.4 m
Weight	- Machine	Approx. 5.6 kg
Material		Aluminium / plastic
Operating components	- Mains power switch ON/OFF	Supplied
	- Foot pedal for sewing speed	Supplied
Display components	- Sewing light	Supplied
Looper system		Oscillating hook
Needle system		130/705H
Interference-free		In acc. with EU Directive
TÜV SÜD approved		Yes
Product guarantees		3 years
Protection class		II 

Important safety instructions

When using an electrical appliance, the basic safety instructions should always be followed. Read all Operating Instructions before using this sewing machine.

DANGER - To reduce the risk of electric shock:

1. The sewing machine should never be left unattended when plugged in.
2. Always remove the plug from the socket immediately after use as well as before cleaning and other maintenance.

WARNING - To reduce the risk of burns, fire, electric shock, or injury to persons:

1. Read the instruction carefully before you use the machine
2. Keep the instructions at a suitable place close to the machine and hand it over if you give the machine to a third party.
3. Use the machine only in dry locations.
4. This appliance can be used by children aged from 8 years and above and persons with reduced physical, sensory or mental capabilities or lack of experience and knowledge if they have been given supervision or instruction concerning use of the appliance in a safe way and understand the hazards involved.
5. Children shall not play with the appliance.
6. Cleaning and user maintenance shall not be made by children without supervision.
7. Always switch off the machine if you carry out preparation for work (change the needle, feed the yarn through the machine, change the footer, etc.).
8. Always unplug the machine if you leave it unattended, to avoid injury by expediently switch on the machine.
9. Always unplug the machine if you changing the lamp or carry out maintenance (oiling, cleaning).
10. Don't use the machine if it's wet or in humid environment.
11. Never pull at the cord, always unplug the machine by gripping the plug.
12. If the LED lamp is damaged or broken, it must be replaced by the manufacturer or its service agent or a similarly qualified person, in order to avoid a hazard.
13. Never place anything on the pedal.
14. Never use the machine if the air vents are blocked, keep the air vents of the machine and the food pedal free from dust, fusel and leftovers.
15. The machine must only be used with designated foot controller, in order to avoid a hazard. If the foot controller is damaged or broken, it must be replaced by the manufacturer or its service agent or a similarly qualified person.
16. The sound pressure level at normal operation is smaller than 75dB(A).
17. Do not dispose of electrical appliances as unsorted municipal waste, use separate collection facilities.
18. Contact your local government for information regarding the collection systems available.
19. If electrical appliances are disposed of in landfills or dumps, hazardous substances can leak into the groundwater and get into the food chain, damaging your health and well-being.
20. When replacing old appliances with new ones, the retailer is legally obligated to take back your old appliance for disposal at least for free of charge.

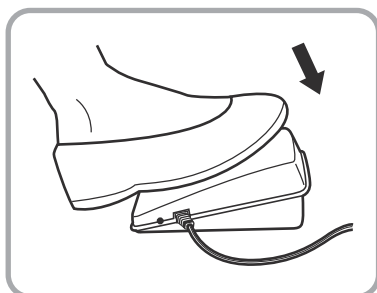
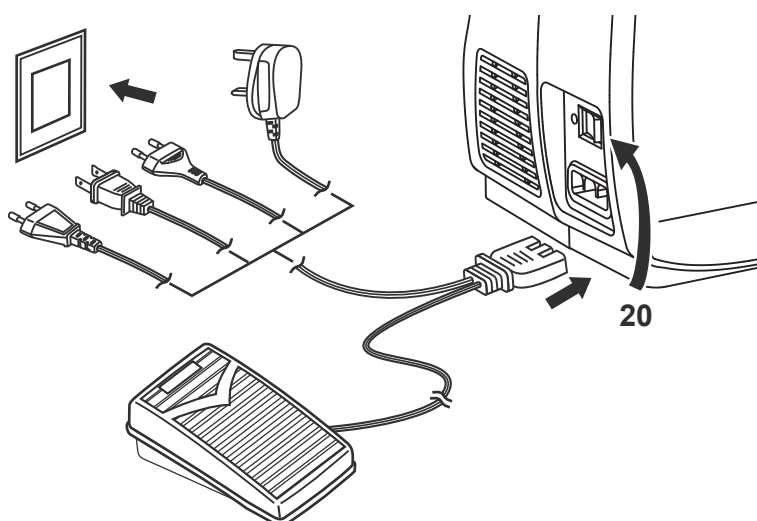
SAVE THESE INSTRUCTIONS

This sewing machine is intended for household use only.

Be sure to use the sewing machine in the temperature range from 5°C to 40°C.

If the temperature is excessively low, the machine can fail to operate normally.

Connecting machine to power source



Important:

Unplug power cable when machine is not in use.

Important:

Consult a qualified electrician if in doubt about connecting the machine to the power source. Unplug power cable if you are not using the power supply.

The sewing machine must be used with the ELECTRONIC foot pedal (t) FC-2902D (220-240V), 4C-326G (230V), 4C-336G(220-240V).

Connect the machine to a power source as illustrated in the adjacent drawing.

Illumination

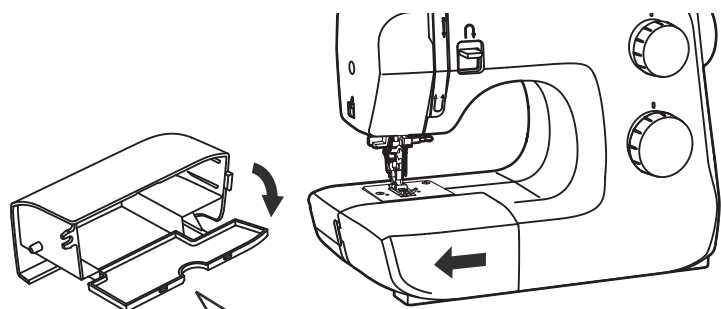
The machine is started and the light switched on by pressing the main switch (20) in position "I".

Foot pedal

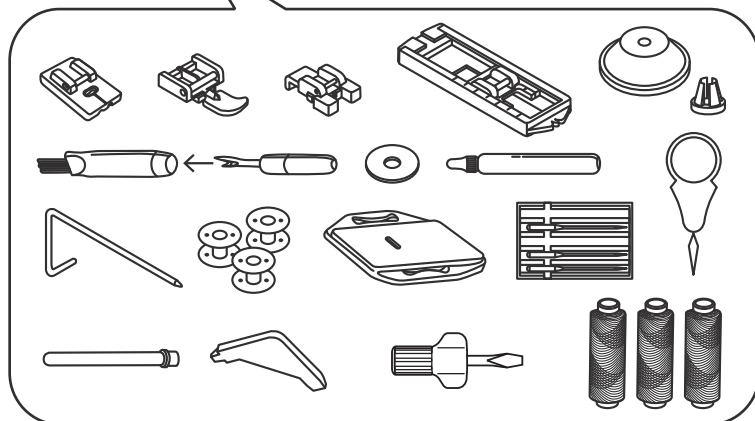
The operating speed of the machine is regulated with the pedal (t).

Getting ready

Installing the snap-in sewing table



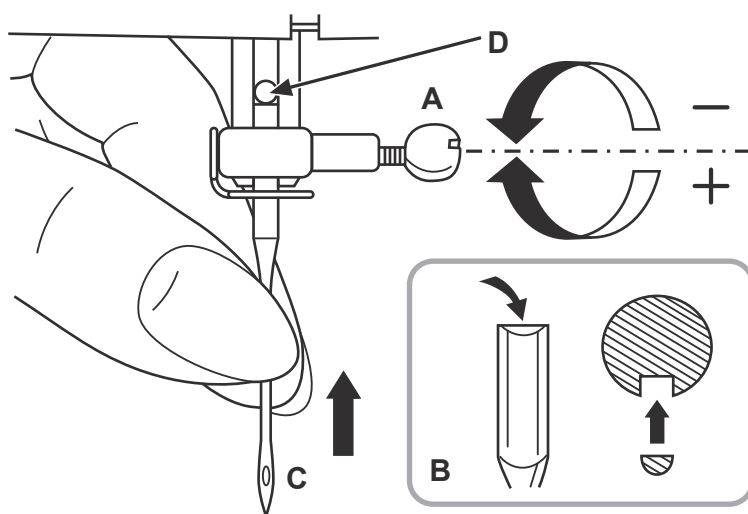
If you want to sew on the arm bed, pull out the snap-in sewing table (7) in the direction of the arrow.



The inside of the snap-in sewing table (7) can be utilised as an accessory box.

The included accessories can be found inside the snap-in compartment.

Inserting the needle



Important:

Turn the power switch (20) to off ("O").

Change the needles regularly, especially at the first signs of problems when sewing.

Insert the needle as in the illustration.

A. Loosen the needle clamp screw and tighten again after inserting the new needle.

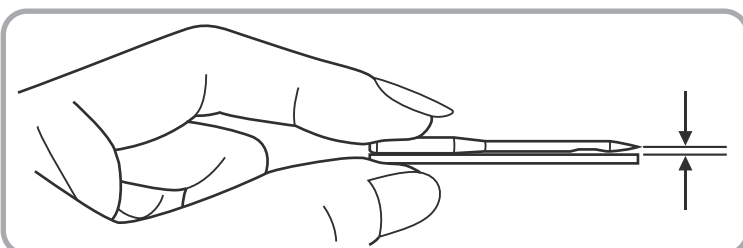
B. The flat side of the shaft should be towards the back.

C/D. Insert the needle up to the stop at the end of the shaft.

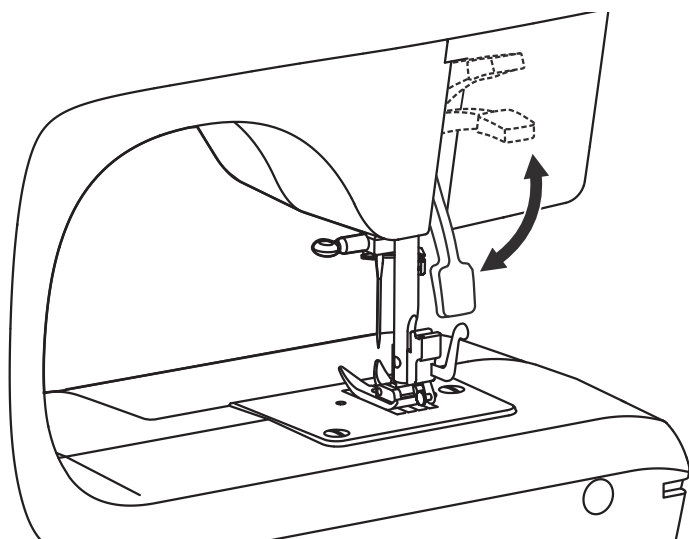
Only use fully-functional needles:

Problems can occur with the use of:

- Bent needles
- Blunt needles
- Damaged points

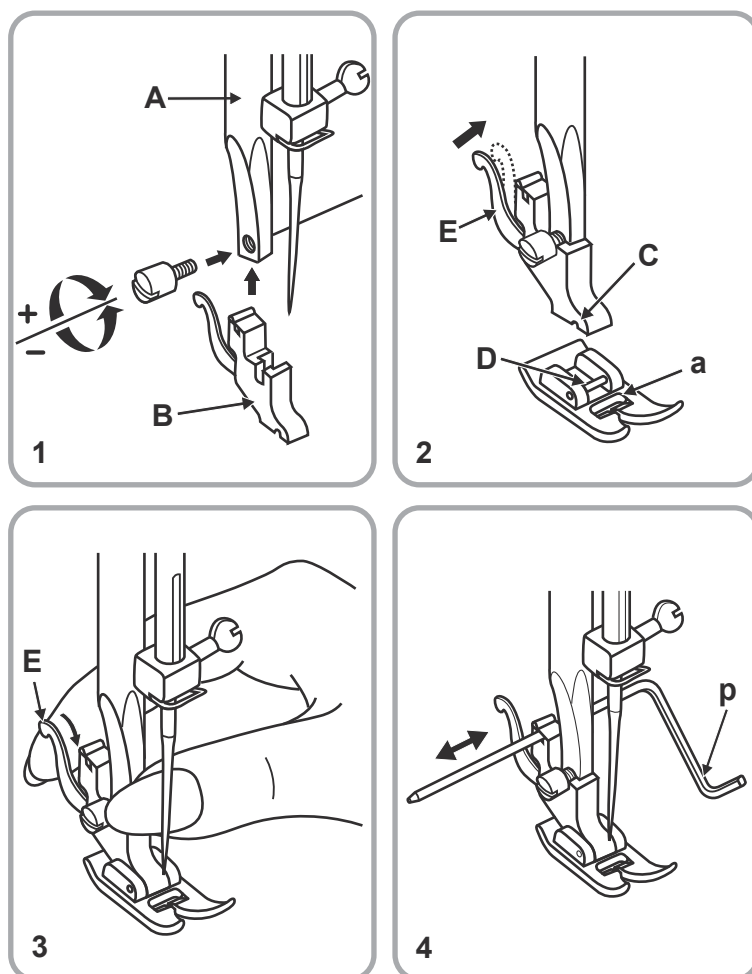


Two-step presser foot lifter



When sewing thick fabrics, the passage of fabrics under the presser foot (9) can be improved by raising the two-step presser foot lifter (18) further (arrow).

Attaching the presser foot holder



Important:

Turn the power switch (20) to off ("O") when carrying out all the operations!

1. Install the presser foot holder

Raise the presser bar (A) by lifting the two-step presser foot lifter (18). Attach the presser foot holder (B) as illustrated.

2. Inserting the presser foot

Lower the presser foot bar (A) until the groove (C) is directly above the pin (D). Lower the presser foot bar (A) as far as it will go. The presser foot (a) will engage automatically.

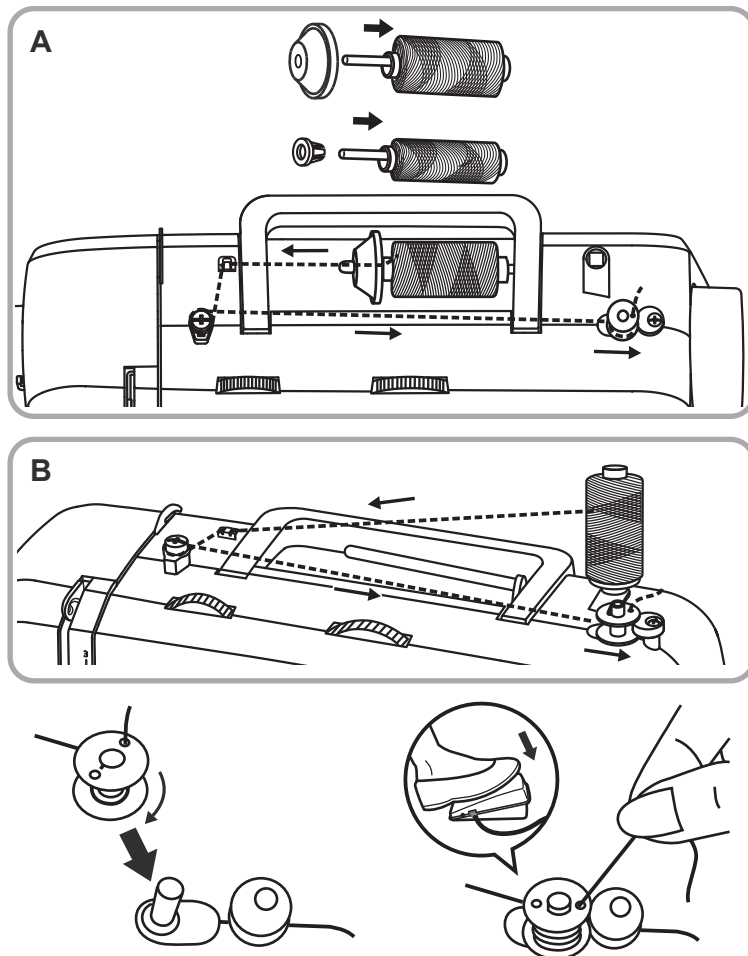
3. Removing the presser foot

Raise the presser foot.
Press the lever (E) gently towards the front and the presser foot disengages.

4. Inserting the edge/ quilt guide (p)

As shown in the illustration carefully insert the edge/ quilt guide (p) e.g. For hems, pleats, etc.

Winding the lower thread



- A. Place the spool (m) on the spool pin (15) and hold it in place with a spool pin cap (r).
- Small spool pin cap for thin threads
 - Large spool pin cap for thick threads
- B. Or place the secondary spool pin (q) on to the hole for the second spool pin (22).

Pull the thread from the spool into the thread guide, and up to the bobbin (m) thread guide (2).

Pull the thread from the inside through a hole of the empty bobbin (g). Place the bobbin (g) on the bobbin (g) winder spindle (14) and then push to the right into the filling position.

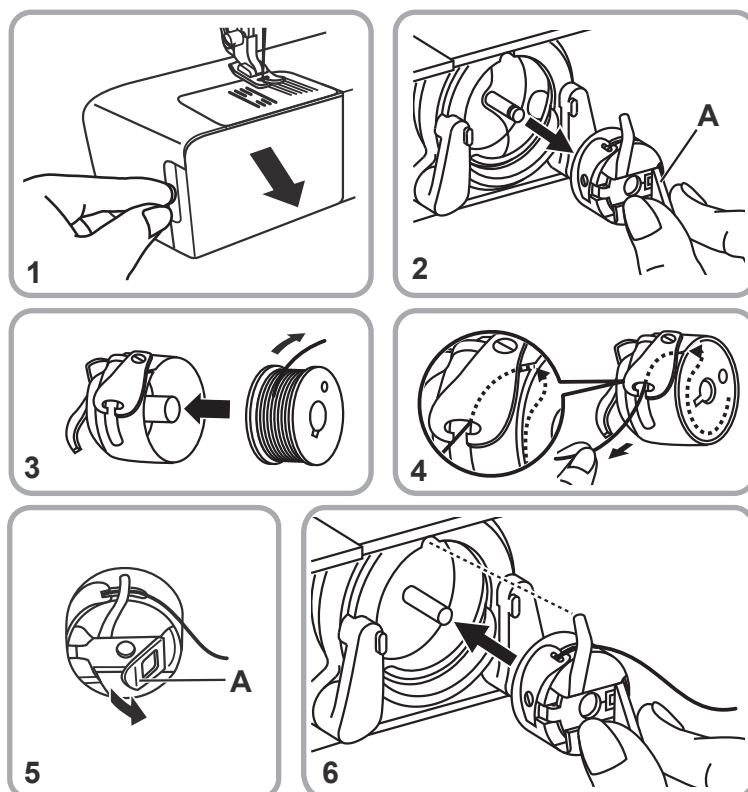
Hold the end of the thread. Press the pedal (t). Release the pedal (t) after a few turns. Release the thread and cut as close as possible to the bobbin (g). Press the pedal (t) again.

Once the bobbin (g) is full, it rotates more slowly. Release the pedal (t). Replace the bobbin (g) into sewing position and remove it.

Note:

If the bobbin winder spindle (14) is in the winding position, the sewing process is automatically interrupted. To sew, push the bobbin winder spindle (14) to the left (sewing position).

Inserting the bobbin



Important:

Turn the power switch (20) to off ("O").

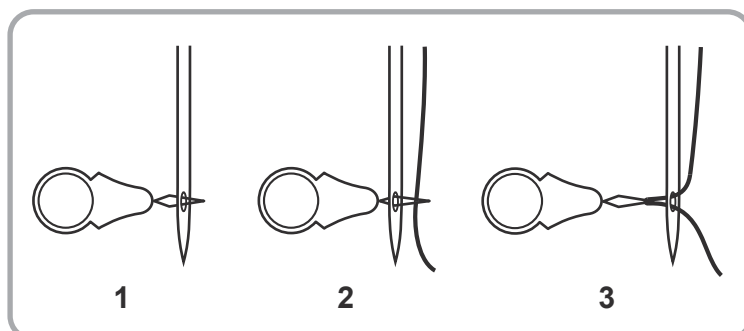
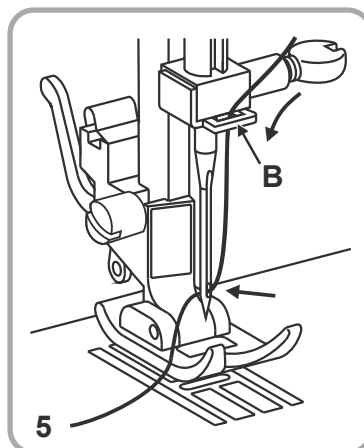
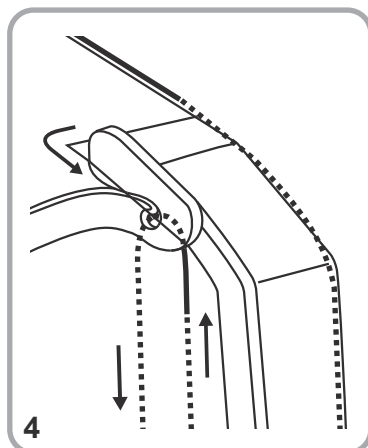
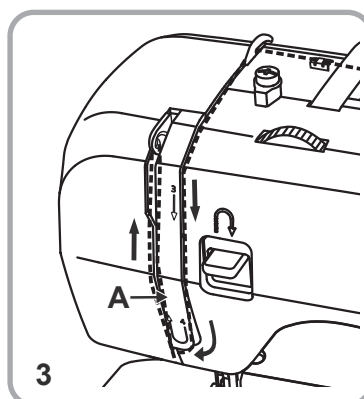
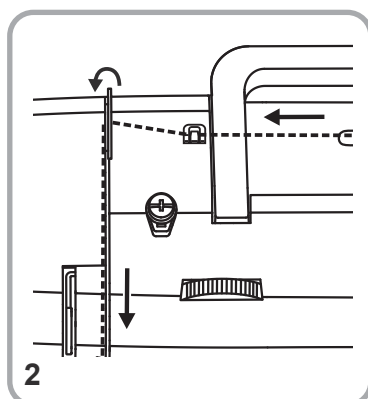
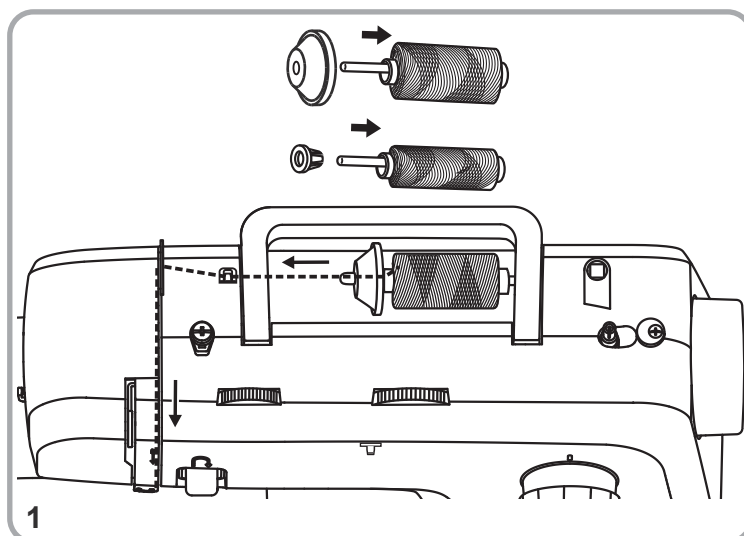
When inserting or removing the bobbin (g), the needle must be fully raised.

1. Remove the accessory box, and open the hinged cover.
2. Pull the bobbin case tab (A) and remove the bobbin case. Hold the bobbin case with one hand.
3. Insert the bobbin so that the thread runs in a clockwise direction (arrow).
4. Pull the thread into the slit and under the tension spring.
5. Hold the bobbin case between the index finger and thumb on the bobbin case tab (A).
6. Insert it into the shuttle race.

Note :

The method of bringing up the lower thread is explained on page 15.

Threading the upper thread



Important:

Turn the power switch (20) to off ("O"). Raise the presser foot bar by lifting the two-step presser foot lifter (18) and lift the thread lever (1) by turning the hand wheel (21) anti-clockwise. Follow the arrows and numbers on the sewing machine when threading.

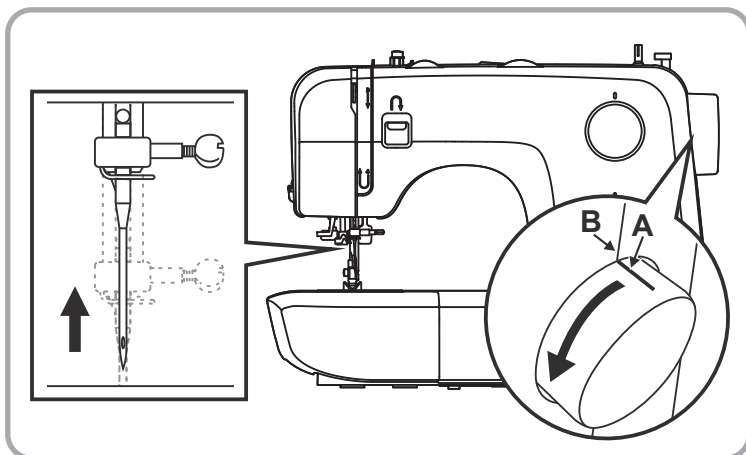
1. Place the spool (m) on the spool pin (15) and hold it in place with a spool pin cap (r).
 - Small spool pin cap for thin threads
 - Large spool pin cap for thick threads
2. Guide the upper thread through the upper thread guide (16) and guide it downwards.
3. Guide it to the left under the guide lug (A) and then upwards again.
4. Guide the thread from right to left through the thread take-up lever (1) and then downwards.
5. Guide the thread first behind the large, metal thread guide (B) and then through the eye of the needle. Always thread the needle from the front.

Needle threader

You can use the needle threader (f) as a threading aid.

1. Insert the needle threader (f) through the eye of the needle from back to front.
2. Guide the upper thread through the wire loop of the needle threader.
3. Pull the needle threader (f) together with the thread back through the eye of the needle.

Automatic needle threader

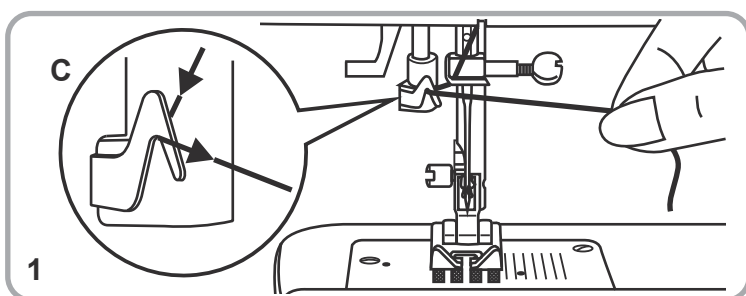


Attention:

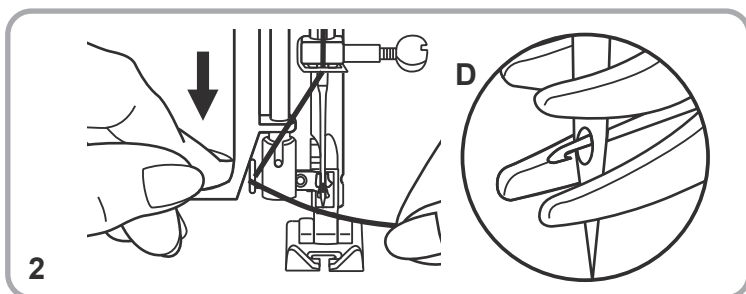
Turn the power switch (20) to off ("O") before threading the needle.

Important:

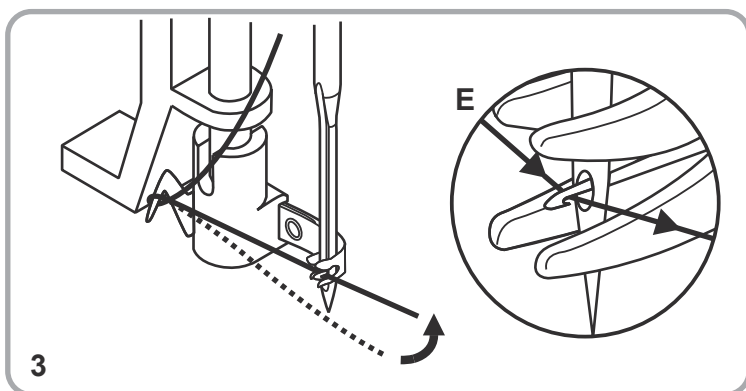
- a. Turn the hand wheel (21) toward you until the mark (A) matching with the line (B) on the machines.
- b. Then the needle will be at the relatively high position.



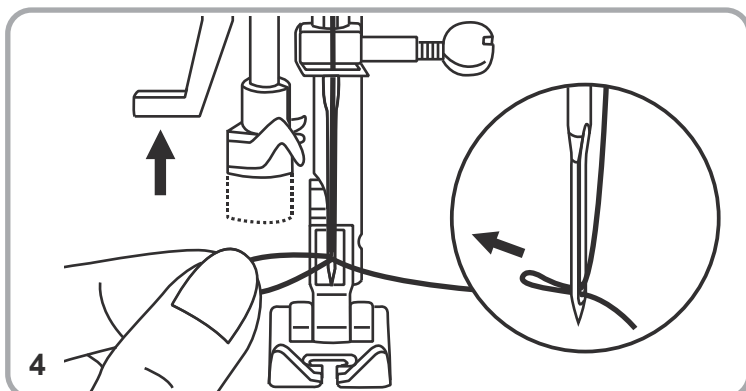
1. Lower the presser foot (9). Pass the thread around the thread guide (C).



2. Press the lever down as far as it goes. The needle threader turns automatically to the threading position and the tiny hook pin passes through the needle eye (D).

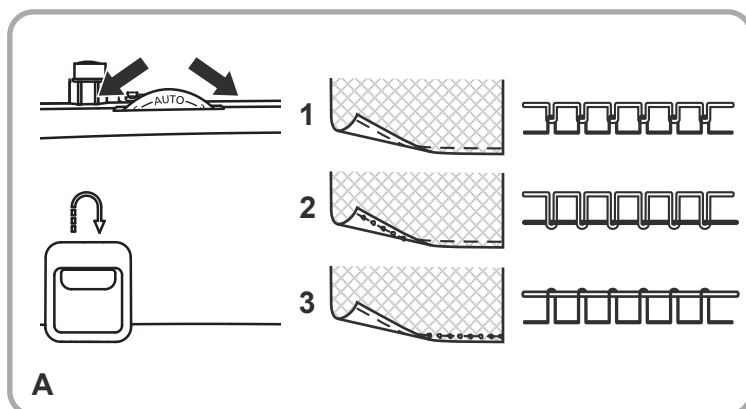


3. Take the thread in front of the needle and make sure it is under the hook pin (E). Then hold the thread slightly upwards so that it hangs on the hook.



4. Hold the thread loosely and release the lever slowly. The hook will turn and pass the thread through the eye of the needle, forming a loop. Pull the thread through the eye of the needle.

Thread tension



A. Upper thread tension

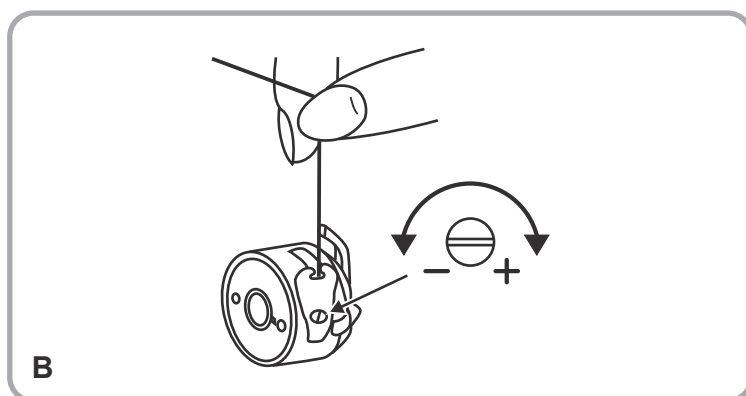
Basic upper thread tension setting: "AUTO"

To increase the tension, turn the dial to the next higher number. To reduce the tension, turn the dial to the next lower number.

1. Normal thread tension
2. Upper thread tension too loose
3. Upper thread tension too tight

Note:

The upper thread tension must be set at 2-3 when sewing the lightweight fabrics, like silk and jersey etc.



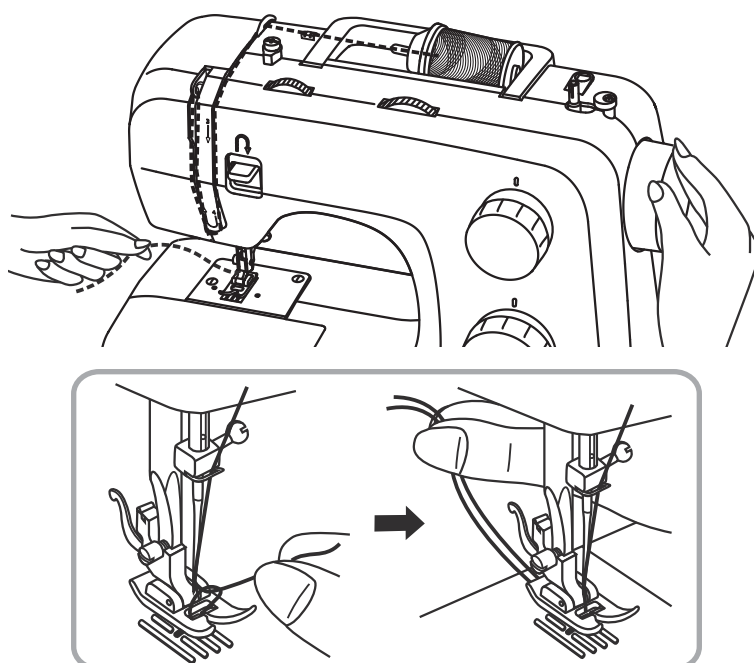
B. Lower thread tension

Note:

The bobbin tension is adjusted correctly during manufacturing, therefore no changes are necessary.

To test the bobbin (g) thread tension, the full bobbin is placed in the bobbin case. The bobbin case and gripper are then suspended by the end of the thread. If the tension is correct, the thread will unwind by about 5 to 10 cm. when gently swung and will then remain suspended. If the full bobbin case unwinds, the tension is too slack. If the tension is too tight, it hardly unwinds or does not unwind at all. To adjust, use the screwdriver (I).

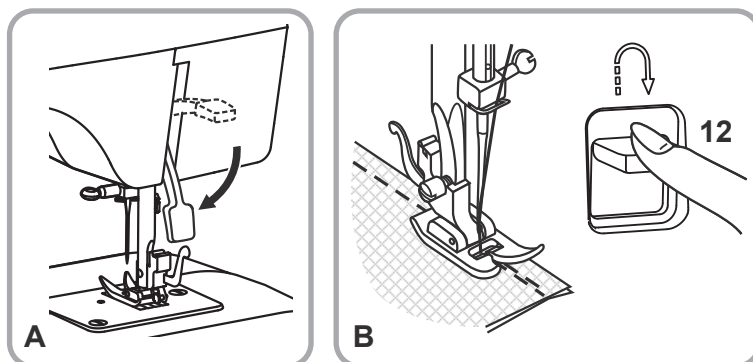
Bringing up the lower thread



Hold the end of the upper thread with the left hand. Turn the handwheel (21) in the anticlockwise direction until the needle is again raised (a complete revolution).

Pull on the upper thread to bring the lower thread up through the stitch plate hole. Lay both threads to the back under the presser foot (9).

Sewing / Useful applications

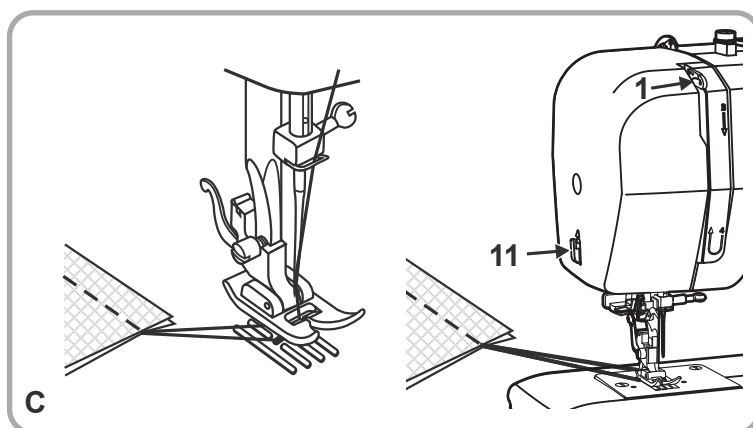


A. Sewing

Once the sewing machine is correctly threaded and adjusted, lower the presser foot (9) before sewing by lowering the two-step presser foot lifter (18). Press the foot pedal (t) to start sewing.

B. Stitching

At the end of seam, press down the reverse sewing lever (12). Sew a few reverse stitches. Release the lever and the machine will begin to sew forwards again.



Reverse sewing is used to lock the threads in the beginning and at the end of the seam or wherever reinforcement is needed.

C. Releasing the material

Turn the hand wheel (21) anticlockwise to put the thread take-up lever (1) into its highest position. Lift the presser foot (9) and pull the material back in order to release it.

C. Cutting the thread

Hold the threads behind the presser foot with both hands; guide them to the thread cutter (11) and move your hands down.

Matching the needle, fabric and thread

NEEDLE, FABRIC, THREAD SELECTION GUIDE

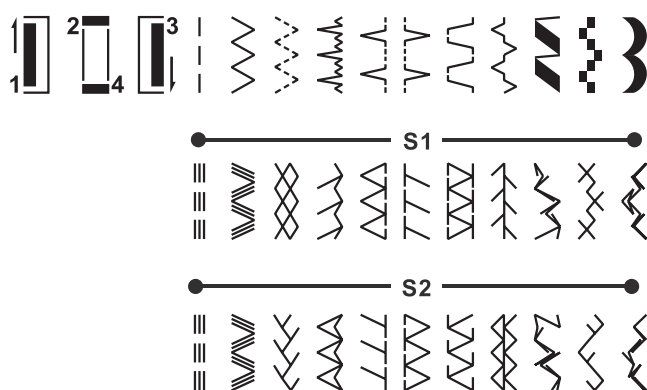
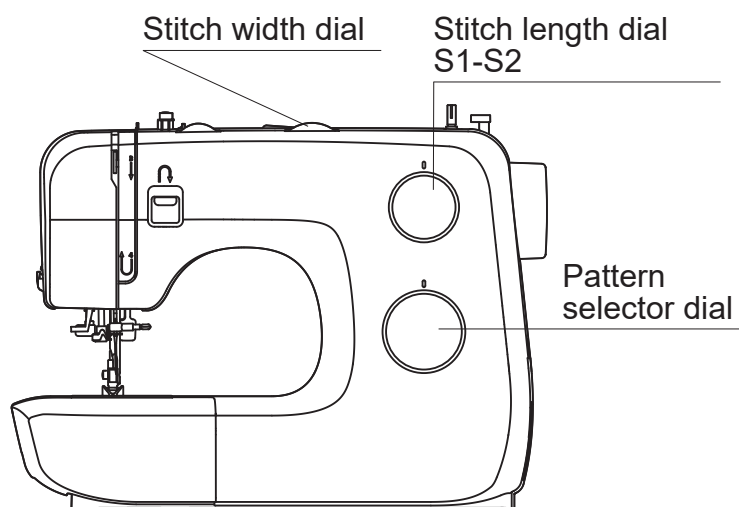
NEEDLE SIZE	FABRICS	THREAD
9-11 (65-75)	Lightweight fabrics: thin cottons, voile, serge, silk, muslin, interlocks, cotton knits, jerseys, crepes, woven polyester, shirt & blouse fabrics.	Light-duty thread in cotton, nylon or polyester.
12 (80)	Medium weight fabrics: cotton, satin, heavy muslin, sailcloth, double knits, light woollens.	Most threads sold are medium size and suitable for these fabrics and needle sizes. Use polyester threads on synthetic materials and cotton on natural woven fabrics for best results. Always use the same thread on top and bottom.
14 (90)	Medium weight fabrics: cotton duck, woollens, heavier knits, terrycloth, denims.	
16 (100)	Heavyweight fabrics: canvas, woollens, canvas and quilted fabrics, denims, upholstery material (light and medium).	

IMPORTANT: Match needle size to thread size and weight of fabric.

Please Note:

- In general, fine threads and needles are used for sewing fine fabrics, and thicker threads are used for sewing heavy fabrics.
- Always test thread and needle size on a small piece of fabric which will be used for actual sewing.
- Use the same thread for needle and bobbin.
- Use the stabilizer material for fine or stretchy fabrics, and select the correct presser foot.
- The upper thread tension must be set at 2-3 when sewing the lightweight fabrics, like silk and jersey etc.
- Use the pins to fix the fabrics first before sewing two or more pieces of fabrics together.

How to choose your stitch



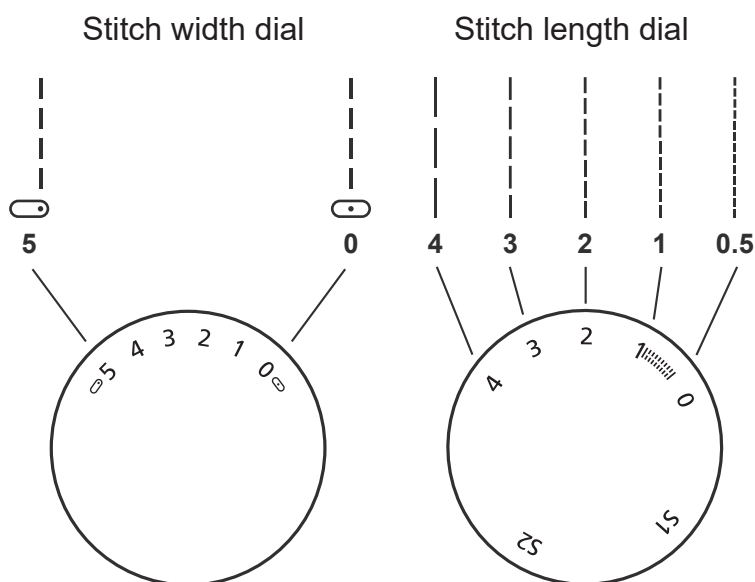
For **straight stitch**, turn the pattern selector dial (6) until the straight stitch coincides with the mark. You can adjust the needle position from central to right by turning the stitch width dial from "0" to "5".

For **zigzag stitch**, turn the pattern selector dial (6) until the zigzag stitch coincides with the mark. Adjust the stitch length and stitch width according to the fabric being used.

To obtain any of the other **stitches shown in the upper row**, turn the pattern selector dial until the required stitch coincides with the mark. Adjust the stitch length and the stitch width as required. In order to achieve an optimal result for the decorative stitches of the first row, the stitch length should be set between "0.3" and a maximum of "0.5".

To obtain any of the **stitches on the second row**, turn the stitch length dial (5) to "S1". To obtain any of the **stitches on the third row**, turn the stitch length dial (5) to "S2", select the stitch desired with the pattern selector dial (6) and turn the pattern selector dial (6) until the required stitch coincides with the mark. Set the stitch length as required.

Straight stitching and needle position

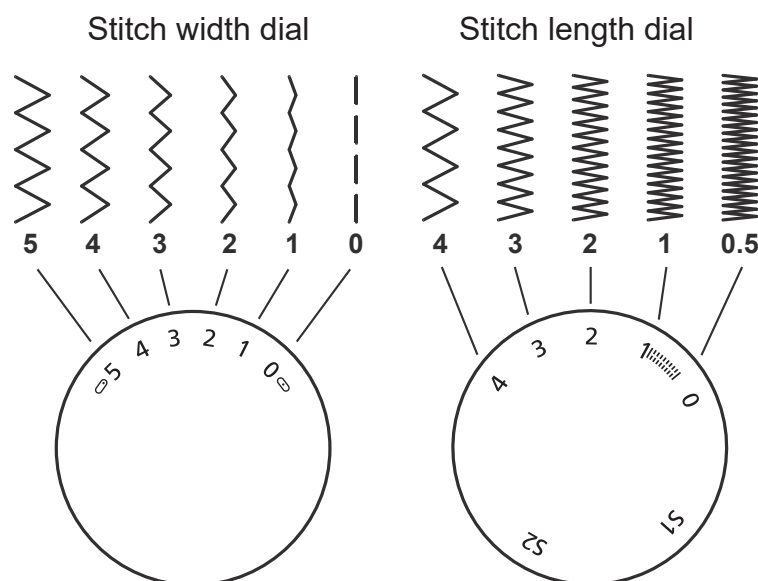


Turn the pattern selector dial (6) to straight stitch.

Generally speaking, the thicker the fabric, thread and needle, the longer the stitch should be.

Select the needle position from central to right by turning the stitch width dial (4) from "0" to "5".

Zigzag stitching



Turn the pattern selector dial (6) to zigzag stitch.

The function of stitch width dial (4)

The maximum stitch width for zigzag stitch is "5"; however, the stitch width can be reduced on any type of stitch. The width increases as you turn the stitch width dial (4) from "0" to "5".

The function of stitch length dial (5) while zigzagging

The density of zigzag stitches increases as the setting of the stitch length dial approaches "0". For a good zigzag stitch, a stitch width of 2.5 or less is used.

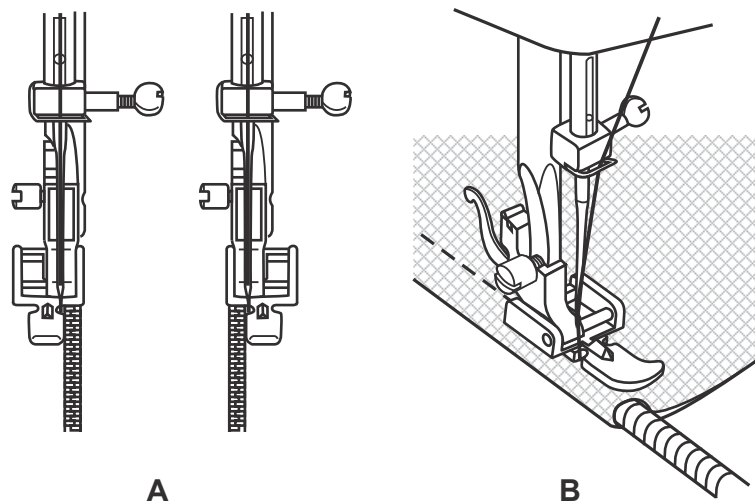
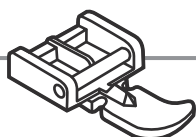
Satin stitch

When the stitch length is set between "0" - "1", the stitches are very close together producing the "satin stitch" which is used for making buttonholes and decorative stitches.

Fine fabric

When sewing very fine fabric, place a piece of fleece under the fabric.

Zipper foot



Stitch	Stitch width	stitch length
---	2.5	1~4

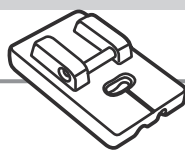
The zipper foot can be inserted right or left, depending on which side of the foot you are going to sew. (A)

To sew past the zip pull, lower the needle into the fabric, raise the presser foot and push the zip pull behind the presser foot. Lower the foot and continue to sew.

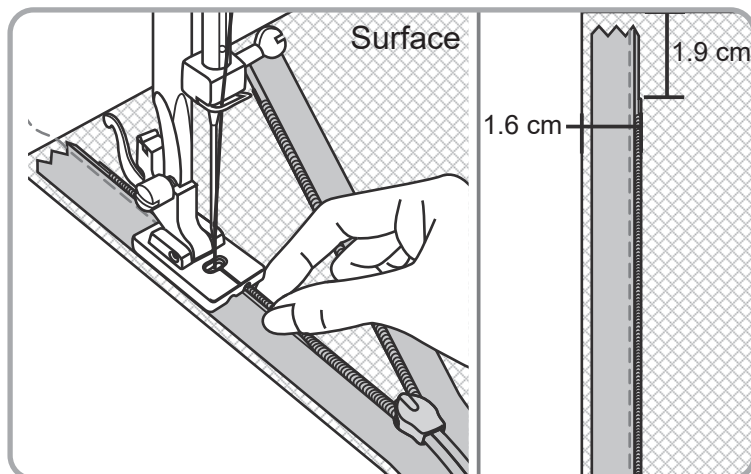
It is also possible to sew in a length of cord, into a bias strip to form a "welt". (B)

According to thickness of fabric to set stitch length dial (5).

Invisible zipper application

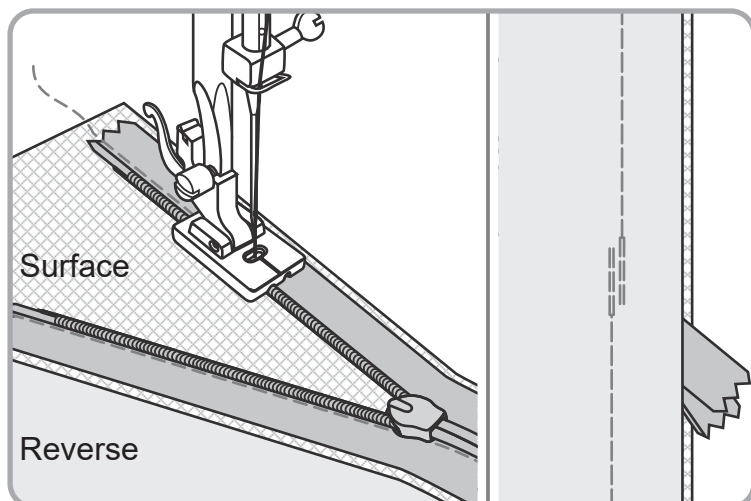


The Invisible Zipper Foot provides an invisible closing on skirts, dresses and a variety of garments and accessories.



Attach the invisible zipper foot to the machine, with the needle lined up with center mark. Place open zipper face-down on right side of fabric as shown. Pin in place with coil on seam line (1.6 cm) and top stop 1.9 cm below raw edge of garment. With right-hand groove of foot over coil, stitch zipper until the foot hits the slider (remove pins as you come to them.) Back-tack.

To attach the other half of the zipper, pin tape face-down with coil on seam line (1.6 cm) and top stop 1.9 cm below raw edge of garment, as before. Make sure that the zipper is not twisted at the bottom. Use the left-hand groove of foot, making sure that the center marking is still lined up with the needle and stitch, as before.

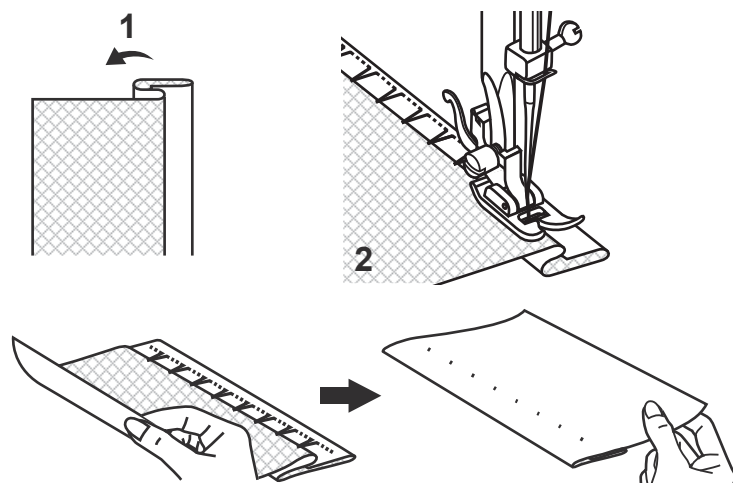
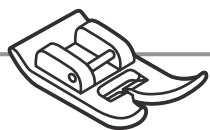


Close zipper. Slide zipper foot (c) to the left so that needle is in the outer notch. Pin the seam together below zipper opening. Fold end of zipper out of the way and lower the needle by hand slightly above and to the left of the last stitch.

Stitch seam for about 5 cm, as shown. Pull thread through to one side and tie. Change to regular presser foot and complete the seam.

At zipper end, stitch about 2.5 cm of each zipper tape to seam allowance only.

Blind stitch



Stitch	Stitch width	stitch length
	3~5	1~2

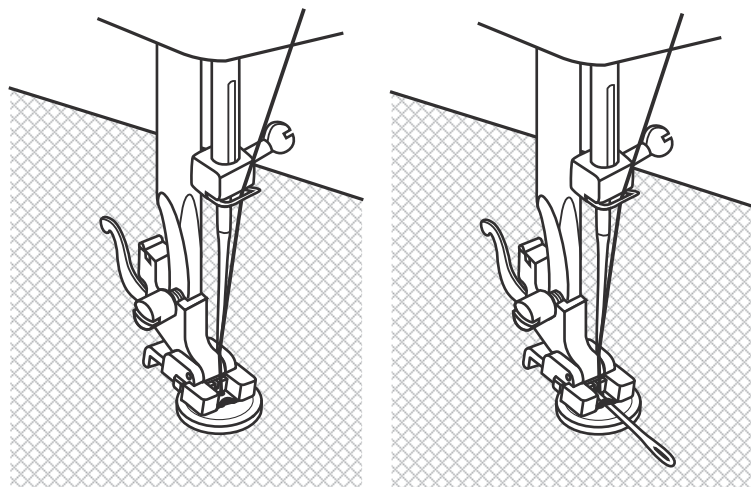
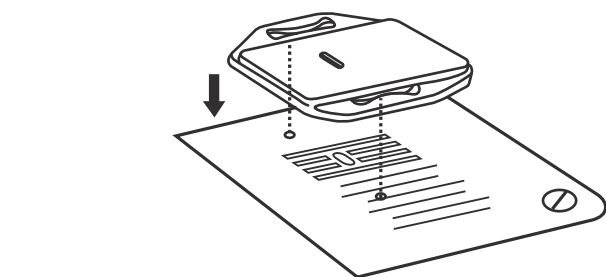
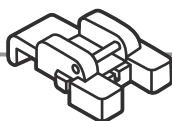
For hems, curtains, trousers, skirts, etc.

.. Blind stitch for elastic fabrics.

1. Fold the fabric as illustrated with the left side uppermost.
2. Place the reversed fabric under the all purpose presser foot (a). Turn the handwheel (21) forwards by hand until the needle is fully to the left. It should just pierce the fold of the fabric. If it does not, adjust the stitch width accordingly.

Sew slowly and guide the fabric carefully so that its position does not change in relation to the guide.

Button sewing foot



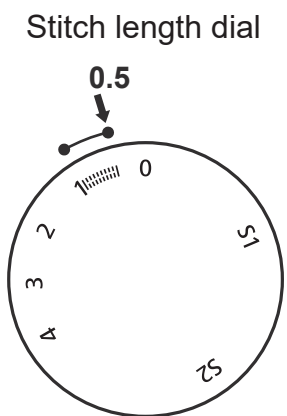
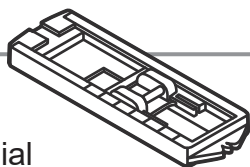
Stitch	Stitch width	stitch length
	0~5	0

Install the embroidery and darning plate (o).

Position the work under the foot. Place the button on the marked position, lower the presser foot, adjust stitch width to "0" and first sew a few securing stitches in the left hole. Adjust the stitch width (usually between 3 and 4). Sew some check stitches with the handwheel (21) until the needle goes cleanly into the right hole of the button (vary the stitch width depending on the button) and sew on the button. Adjust the stitch width to "0" and sew a few securing stitches.

If a shank is required, place a darning needle on top of the button and sew. For buttons with 4 holes, sew through the front two holes first, push the work forward and then sew through the back two holes as described.

Buttonhole foot



Stitch	Stitch width	stitch length
	5	0.5~1

Preparation:

Remove the presser foot and attach the buttonhole foot (e). Adjust the stitch length dial (5) to between "0.5" - "1". The density of the stitch depends on thickness of the fabric.

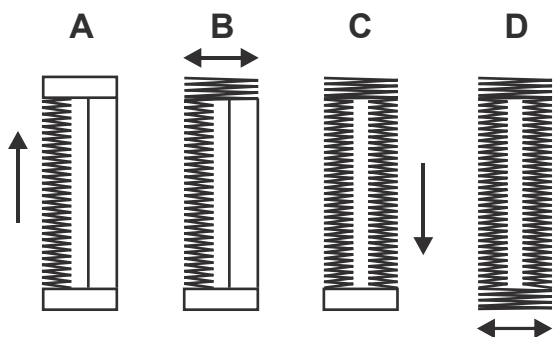
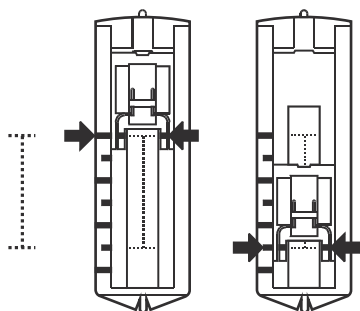
Note: Always test sew a buttonhole.

To prepare the fabric:

Measure the diameter of the button and add 0.3cm (1/8") for the bartacks. If you have a very thick button, add more to the diameter measurement. Mark the position and length of the buttonhole on the fabric. Raise the needle to its highest position.

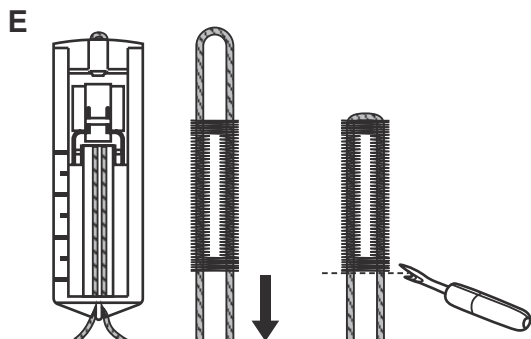
Position the fabric so that the needle is on the mark that is furthest from you.

Push the buttonhole foot (e) towards you as far as it will go. Lower the foot.



- Turn the pattern selector dial (6) to "". Sew at moderate speed until you reach the end mark. Raise the needle to its highest position.
- Turn the pattern selector dial (6) to "" and sew 5-6 bar tack stitches. Raise the needle to its highest position.
- Turn the pattern selector dial (6) to "" and sew the right side of the buttonhole to the mark at the end which is further from you. Raise the needle to its highest position.
- Turn the pattern selector dial (6) to "" and sew a few bar tack stitches. Raise the needle to its highest position.

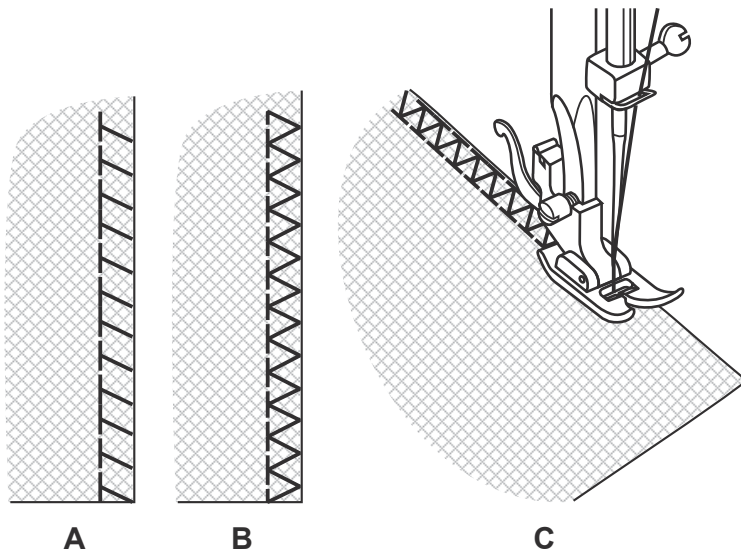
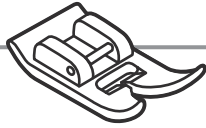
Lift the foot. Remove the fabric from under the foot and separate the threads. Draw the upper thread through the fabric to the ear and knot the upper and lower threads. Cut the centre of the buttonhole with the stitch ripper (n), being careful not to cut the stitches on either side.



Note:

- Slightly reduce upper thread tension (3) to produce better results.
- You should use stabilizer material such as yarn or fleece for fine, stretchy or knitted fabrics. The zigzag stitch should be sewn over the yarn (E).
- Please use needle 9-11(65-75) for the following fabric:
Lightweight fabrics: thin cottons, voile, serge, silk, muslin, interlocks, cotton knits, jerseys, crepes, woven polyester, shirt & blouse fabrics.

Overlock stitches



Stitch	Stitch width	stitch length
	3~5	S1, S2

Note:

Use new needles or ball point needles.

Seams, sewing and neatening visible hems.

Overlock stitch (A)

For fine knits, jerseys, neck edges, borders.

Standard overlock stitch (B)

For fine knits, jerseys, neck edges, borders.

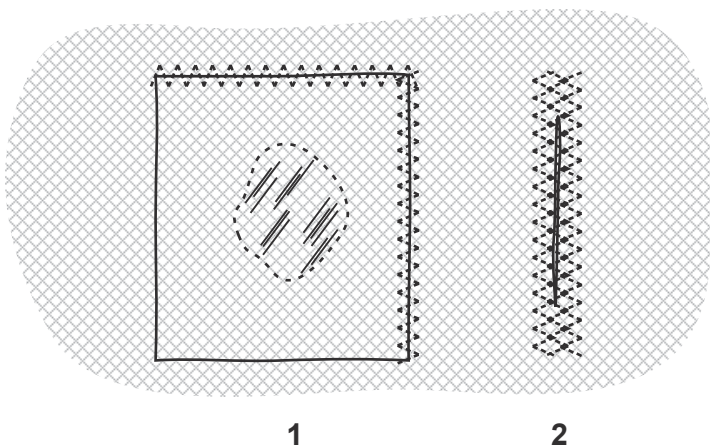
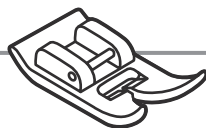
Double overlock stitch (C)

For fine knits, handknits, seams.

All overlock stitches are suitable for sewing and neatening edges and visible seams in one operation.

When neatening, the needle should just go over the edge of the fabric.

3-step zigzag



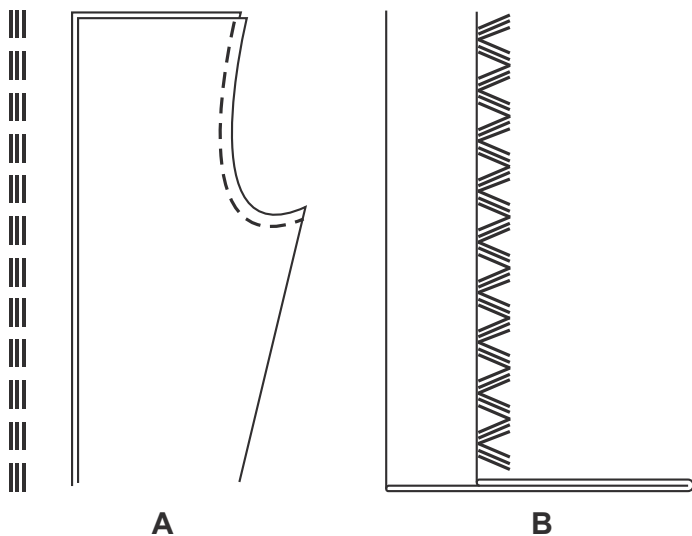
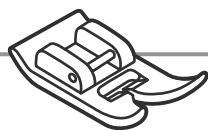
Stitch	Stitch width	stitch length
	3~5	1~2

Sewing on lace and elastic, darning, mending, reinforcing edges.

1. Place patch in position.
2. When mending tears, it is advisable to use a piece of backing fabric as reinforcement. First sew over the centre and then just overlap on both sides.

Depending on the type of fabric and damage, sew between 3 and 5 rows.

Stretch-stitch



Stitch	Stitch width	stitch length
	2.5	S1, S2

Triple straight stitch (A)

For hardwearing seams.

The machine sews two stitches forwards and one stitch backwards. This gives triple reinforcement.

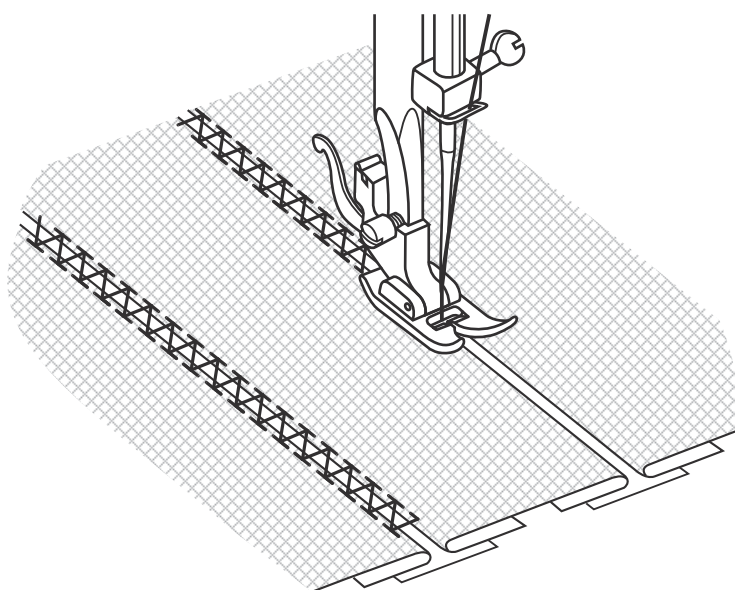
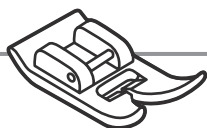
Stitch	Stitch width	stitch length
~	3~5	S1, S2

Triple zigzag (B)

For hardwearing seams, hems and decorative seams.

Triple zigzag is suitable for firm fabrics like denim, corduroy, etc.

Patch work



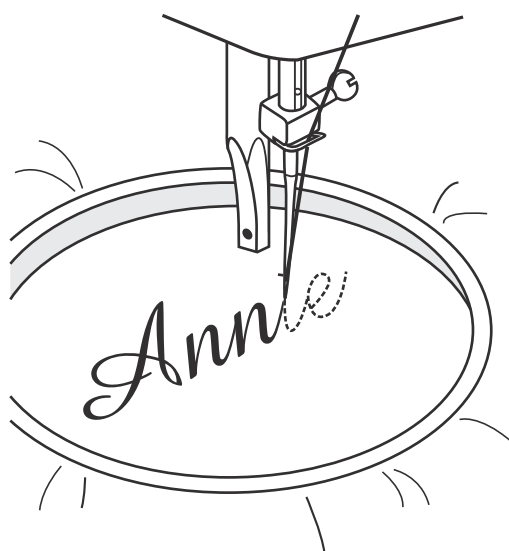
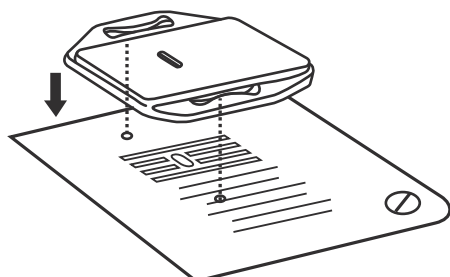
Stitch	Stitch width	stitch length
~	3~5	S1

To join two pieces of fabric while leaving a space between their edges.

1. Fold over the edges of the two pieces of fabric for the hem and tack the edges to a thin piece of paper leaving a small space between them.
2. Stitch along the edge, pulling both threads slightly when beginning to sew.
3. Use thicker than normal threads for sewing.
4. After sewing, remove the tacking and the paper. Finish by tying knots on the reverse side at the beginning and the end of the seams.

Monogramming and embroidering with embroidery hoop*

* The embroidery hoop is not supplied with the machine.



Stitch	Stitch width	stitch length
⌘	1~5	0

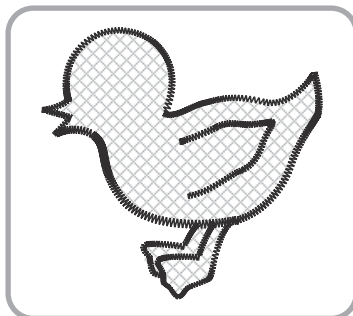
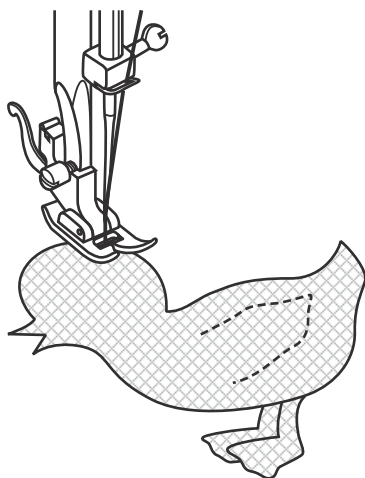
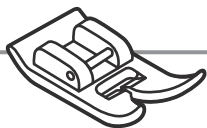
Attach the embroidery and darning plate

1. Remove the presser foot and the presser foot holder.
2. Attach the embroidery and darning plate (o).
3. Lower the two-step presser foot lifter (18) before starting to sew.
4. Adjust the stitch width according to the size of lettering or design.

Preparation for monogramming and embroidering*

1. Draw the desired lettering or design on the right side of the fabric with the use of a water-soluble fabric marker.
2. Stretch the fabric between the embroidery hoop as firmly as possible.
3. Place the fabric under the needle. Lower the two-step presser foot lifter (18).
4. Turn the hand wheel (21) towards you to bring up the lower thread through the fabric. Sew a few securing stitches at the starting point.
5. Hold the hoop with thumb and forefingers of both hands.
6. Coordinate the sewing speed and the movement of hoop.

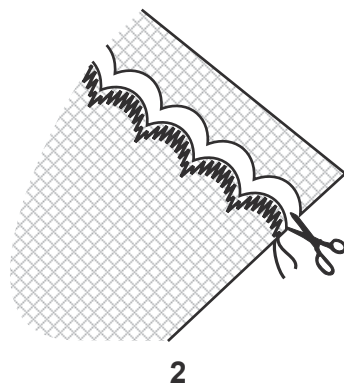
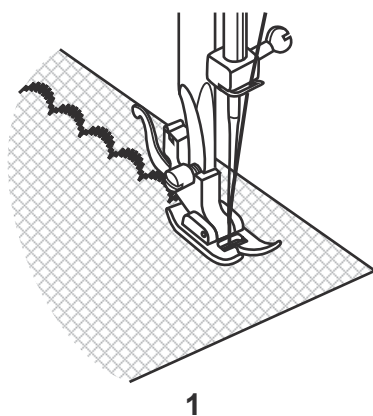
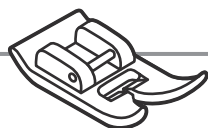
Applique



Stitch	Stitch width	stitch length
⋈	3~5	0.5~1

1. Cut out the applique design and tack it to the fabric.
2. Sew slowly around the edge of the design.
3. Trim excess material outside the stitching. Make sure not to cut any stitches.
4. Remove the tacking thread.
5. Tie top and bottom thread under the applique to avoid unravelling.

Scallop stitching

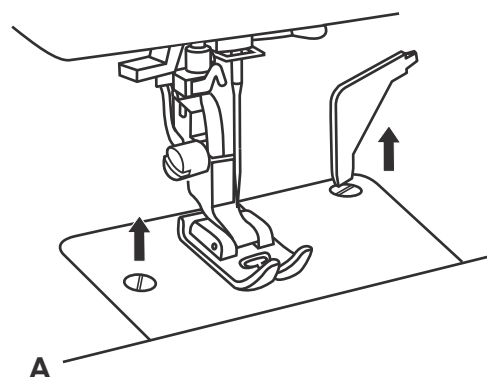


Stitch	Stitch width	stitch length
}	3~5	1~2

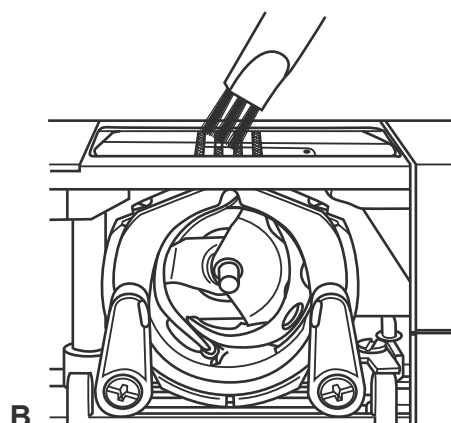
You can produce a decorative edge with the scallop stitch.

1. Sew the scallop stitch along the edge of the material.
2. If desired, trim around the scallop with scissors to create a scalloped edge. Be careful not to cut the thread.

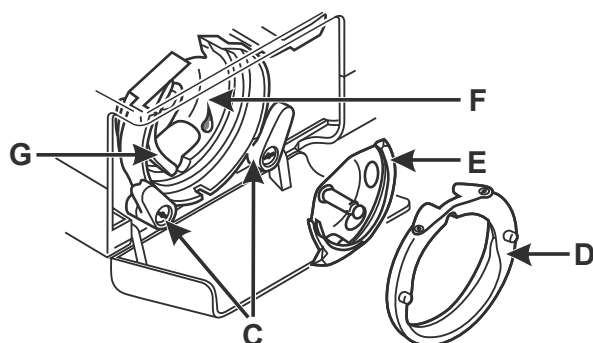
Maintenance



A



B



Important:

Disconnect the machine from the electricity supply by removing the plug from the mains socket. When cleaning the machine, it must always be disconnected from the electricity supply.

Removing the stitch plate (A)

Turn the hand wheel (21) until the needle is fully raised. Open the hinged front cover and remove the stitch plate (8) screws with the L-screwdriver (k).

Cleaning the feed dog (B)

Remove the bobbin case and use the brush (n) supplied to clean the whole area.

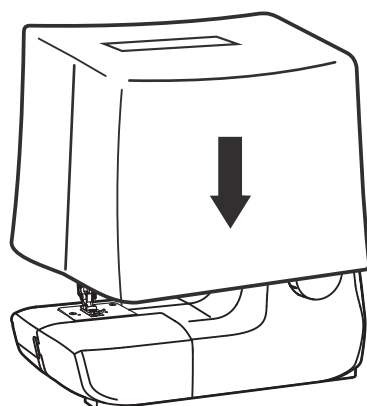
Cleaning and lubricating the catch (C-G)

Remove the bobbin case. Snap the two catch retaining arms (C) outwards. Remove the shuttle race cover (D) and the catch (E) and clean with a soft cloth. Lubricate at the points indicated (F) (1-2 drops) using sewing machine oil. Turn the handwheel (21) until the shuttle race (G) is in the left position. Replace the catch (E). Replace the shuttle race cover and snap back the two catch retaining arms. Insert the bobbin case and bobbin and replace the stitch plate.

Important:

Fabric fluff and threads must be removed regularly.

Storage



Always remove the power plug from the socket when not using the sewing machine. Use the dust cover (s) provided. Store the sewing machine in a dry location which children cannot access. If the sewing machine is not used for an extended period, it should be protected from excessive dust, dirt or moisture.

Trouble shooting guide

Problem	Cause	Correction
Upper thread breaks	<ol style="list-style-type: none"> 1.The machine is not threaded correctly. 2.The thread tension is too tight. 3.The thread is too thick for the needle. 4.The needle is not inserted correctly. 5.The thread has become wound around the bobbin winder spindle (14). 6.The needle is damaged. 	<ol style="list-style-type: none"> 1.Rethread the machine. 2.Reduce the thread tension (3). (lower number) 3.Use a larger needle. 4.Remove and reinsert the needle. (flat side towards the back) 5.Remove the bobbin (g) and unwind the thread. 6.Replace the needle.
Lower thread breaks	<ol style="list-style-type: none"> 1.The bobbin case is not inserted correctly. 2.The bobbin case is threaded wrongly. 	<ol style="list-style-type: none"> 1.Remove and reinsert the bobbin case and pull on the thread. The thread should pull easily. 2.Check both bobbin (g) and bobbin case.
Skipped stitches	<ol style="list-style-type: none"> 1.The needle is not inserted correctly. 2.The needle is damaged. 3.The wrong size needle has been used. 4.The wrong presser foot is installed. 	<ol style="list-style-type: none"> 1.Remove and reinsert needle. (flat side towards the back) 2.Replace the needle. 3.Choose a needle size to suit the thread and fabric. 4.Use the correct presser foot.
Needle breaks	<ol style="list-style-type: none"> 1.The needle is damaged. 2.The needle is not correctly inserted. 3.Fabric too thick/ needle size wrong. 4.The wrong presser foot is attached. 	<ol style="list-style-type: none"> 1.Replace the needle. 2.Insert the needle correctly (flat side towards the back) 3.Choose a needle size to suit the thread and fabric. 4.Use the correct presser foot.
Loose stitches	<ol style="list-style-type: none"> 1.The machine is not correctly threaded. 2.The bobbin case is not correctly threaded. 3.Needle/ fabric/ thread combination is wrong. 4.Thread tension wrong. 	<ol style="list-style-type: none"> 1.Thread the machine correctly. 2.Thread the bobbin case as illustrated. 3.The needle size must suit the fabric and thread. 4.Correct the thread tension.
Seams gather or pucker	<ol style="list-style-type: none"> 1.The needle is too thick for the fabric. 2.The stitch length is wrongly adjusted. 3.Fabric puckers. 	<ol style="list-style-type: none"> 1.Use a finer needle. 2.Check the thread tension. 3.Use a backing for fine or stretchy fabrics.
Uneven stitches, uneven feed	<ol style="list-style-type: none"> 1.The thread is too weak. 2.The bobbin case is wrongly threaded. 3.Fabric has been pulled when sewing. 	<ol style="list-style-type: none"> 1.Use stronger thread. 2.Rethread the bobbin case and insert correctly. 3.Do not pull on the fabric. It must be automatically moved by the machine.
The machine is noisy	<ol style="list-style-type: none"> 1.The machine must be lubricated. 2.Fluff or oil have collected on the hook or needle bar. 3.Poor quality oil has been used. 4.The needle is damaged. 	<ol style="list-style-type: none"> 1.Lubricate as described. 2.Clean the hook and feed dog as described. 3.Only use good quality sewing machine oil. 4.Replace the needle.
The machine jams	Thread is caught in the hook.	Remove the upper thread and bobbin case, turn the handwheel (21) backwards and forwards by hand and remove the thread remains. Lubricate as described.

Disposal



- Dispose of devices with dangerous defects immediately and ensure that they can no longer be used.
- Do not dispose of the sewing machine in normal domestic waste.
- This product is subject to UL 1594.
- Dispose of the sewing machine at a registered waste disposal firm or through your local authority waste disposal facility.
- Observe the regulations currently in force. In case of doubt, consult your waste disposal facility.
- Please dispose of all packaging materials in an environmentally friendly manner.

Keep the sewing machine's transport packaging. It may be useful for storing the machine, but is particularly useful if you want to send the sewing machine away for repair. Most instances of damage occur when the machines are being transported.

Guarantee

Dear customer,

You receive 3 years guarantee on this device from date of purchase. In case of defects in this product, you have legal rights versus the seller of the product. These legal rights are not restricted by our guarantee shown below.

Guarantee conditions

The guarantee period starts on the purchase date. Please retain your original receipt safely. This document is required as proof of purchase.

If a material or manufacturing error occurs in this product within three years from the purchase date, we will repair or replace it for you free of charge – at our choice. This guarantee performance presupposes that within the three-year period, the defective device and proof of purchase (till receipt) are submitted together with a short-written description, detailing the deficiency and when it has occurred.

If this defect is covered by our guarantee, you will receive the repaired or a new product in return. No new guarantee period starts following repair or replacement of the product.

Guarantee period and legal requirements for defects

The guarantee period is not extended by the guarantee. This also applies to replacement and repaired parts. Any damage and defects present during purchase must be reported immediately after unpacking. Repairs occurring after expiry of the guarantee period are chargeable.

Guarantee scope

The device was produced carefully in accordance with strict quality guideline and checked conscientiously before delivery.

The guarantee cover is valid for material or manufacturing errors. This guarantee does not extend to product parts which are subjected to normal wear and can therefore be regarded as wear parts or for damage to fragile parts, for example switches, batteries or which are made of glass.

This guarantee will be voided if the product is damaged, or incorrectly used or maintained. For proper use of this product all instructions listed in the instruction manual must be followed exactly. Uses and actions which are advised or warned against in the operating instruction must be avoided.

The product is only intended for private and not for commercial use. In case of abusive and improper treatment, use of force and in case of interventions which have not been performed by our authorised service branch, this guarantee is voided.

Handling of guarantee cases

To ensure rapid processing of your request, please follow the instructions below:

- Please be prepared to provide the till receipt and article number (e.g. IAN 12345) as proof of purchase if requested.

Disposal / Guarantee / Service / Manufacturer

- The article number can be found on the type plate, engraved, on the title sheet of your instruction (bottom left) or as a sticker on the rear or underside.
- If functional errors or other defects occur, first contact by phone or by email the service department shown below.
- Once confirmed defective, you can then send the product together with the proof of purchase (till receipt) and the details of the defect and when it occurred free of charge to the service address communicated to you.

On www.lidl-service.com you can download these and many other manuals, product videos and software.



Service number

These Operating Instructions cannot cover all possible applications.

For more information or in case of problems not covered or not covered in sufficient detail in these Operating Instructions, please contact the service number **00800 555 00 666 (free)**

Please keep these Operating Instructions in a safe place and pass on to any future users.

Service-Address:

**CROWN Service Center
teknihall Elektronik GmbH
Assar-Gabrielsson-Str. 11-13
DE-63128 Dietzenbach
GERMANY**

sewingguide-service-gb@teknihall.com

IAN 386998

Manufacturer

Please be aware that the following address is not a service address. Please first contact the service office stated above.

Crown Technics GmbH
Turmstraße 4
D-78467 Konstanz
GERMANY

**Tidy man**

Dispose the item in an appropriate manner.

Saubermann

Entsorgen Sie den Gegenstand auf angemessene Weise.



Triman: Recyclable packaging or product

Triman: Wiederverwertbare Verpackungen oder Produkte

**This side up**

The package must always be transported, handled and stored in such way that the arrows always point upwards.

Diese Seite nach oben

Das Paket muss immer mit den Pfeilen nach oben transportiert, gehandhabt und gelagert werden.

**Keep dry**

Keep package away from rain or damp.

Trcken halten

Von Regen oder Feuchtigkeit fernhalten.

**Fragile, handle with care**

Commodity inside is fragile and can be damaged.

Zerbrechlich, mit Vorsicht behandeln

Die Ware im Inneren ist zerbrechlich und darf nicht beschädigt werden.

(GB)

Service number for complaints:

(IE)

00800 555 00 666 (free)

(NI)

(CY)

(MT)

(DE)

Servicenummer bei Reklamationen:

(AT)

00800 555 00 666 (kostenfrei)

(CH)

Last Information Update · Stand der Informationen:

06/2021 · Ident.-No.:062021

011K7U0101-01

www.sewingguide.de

IAN 386998_2101

OS-DE